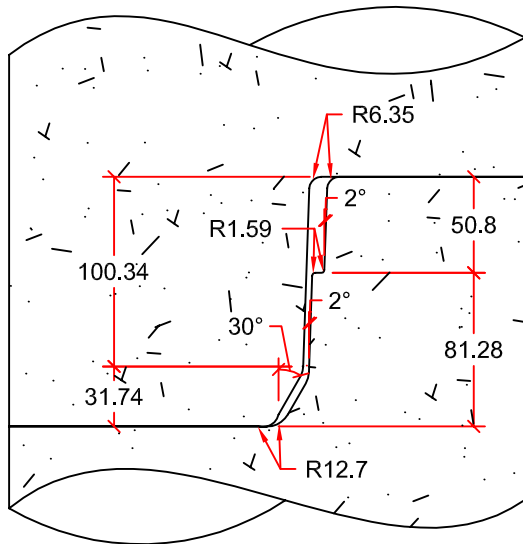
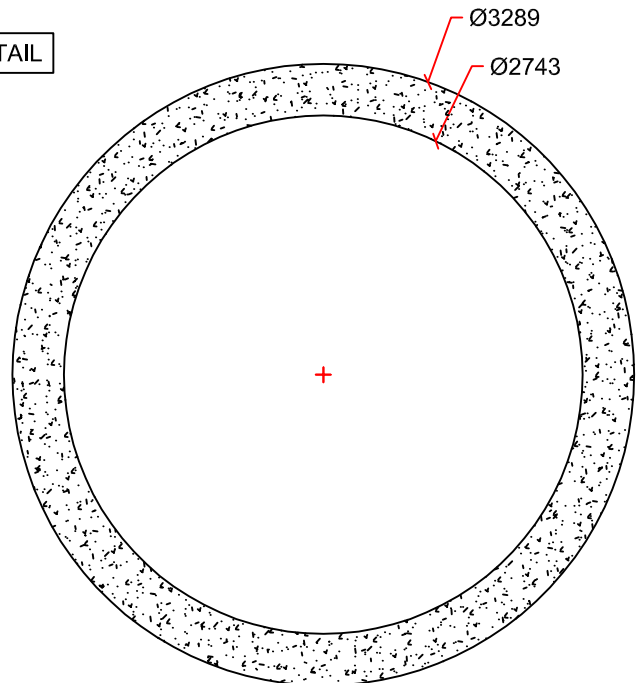


PIPE DETAIL



JOINT DETAIL



SECTION DETAIL

DRAWN BY:	LUCAS STEFAN	2700mm x 2.44m (TYP) Pipe	<p>INLAND Pipe</p> <p>7336 112th AVE. NW. CALGARY, AB. PH: 403 279-5531 FAX: 403 279-7648</p>
SCALE:	NTS		
DATE:	NOVEMBER 2, 2015	APPROXIMATE WEIGHT: 15,380 kg DIMENSIONS IN mm	
DRAWING #:	2700mm x 2.44m (TYP) PIPE		
REVISION #:	REV. 1		
CHECKED BY:	TYSON DYCK		