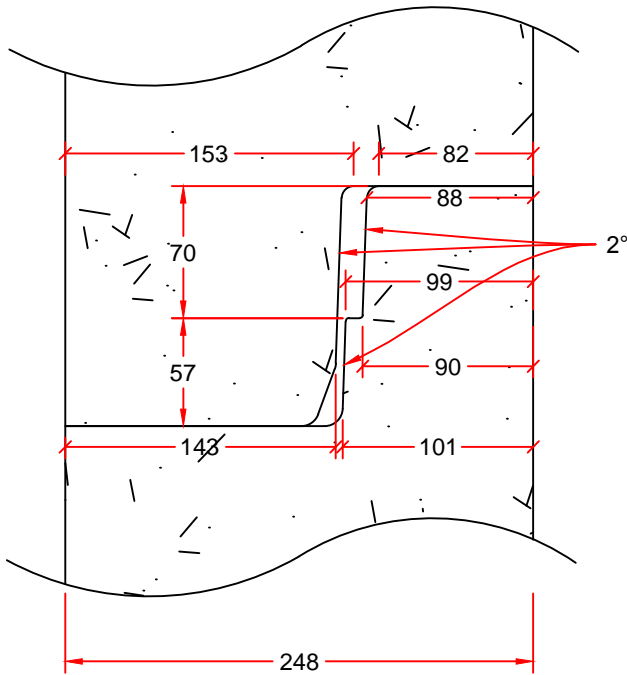
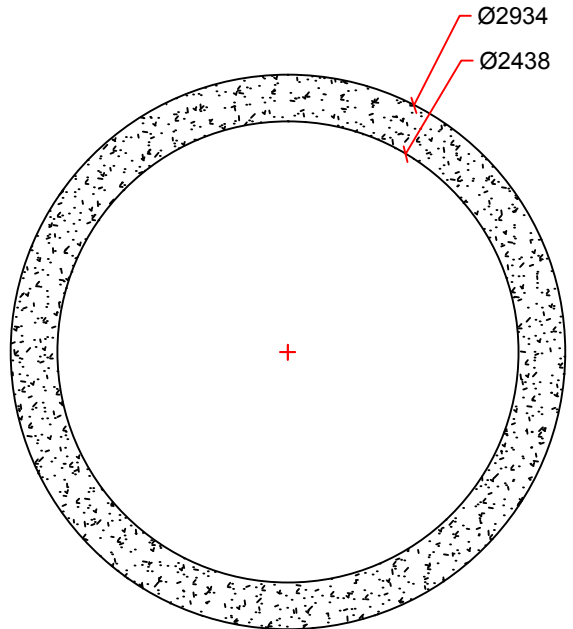


PIPE DETAIL



JOINT DETAIL



SECTION DETAIL

DRAWN BY:	SAM HAN	Ø2400mm X 2.44m STRAIGHT WALL PIPE
SCALE:	NTS	
DATE:	NOVEMBER 12, 2015	DIMENSIONS IN mm APPROXIMATE MASS: 11558 kg
DRAWING #:	Ø2400mm X 2.44m T&G PIPE	
REVISION #:	REV. 1	
CHECKED BY:	TYSON DYCK	

INLAND
Pipe

2494 FERRIER ST. WINNIPEG, MB.
PH: 204 334-4300 FAX: 204 334-7957