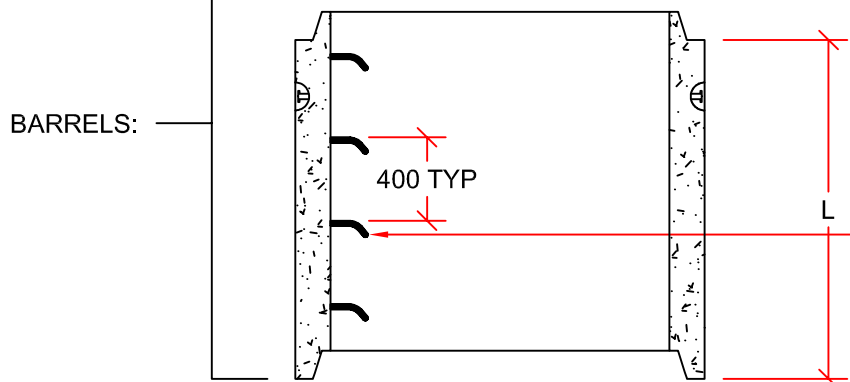
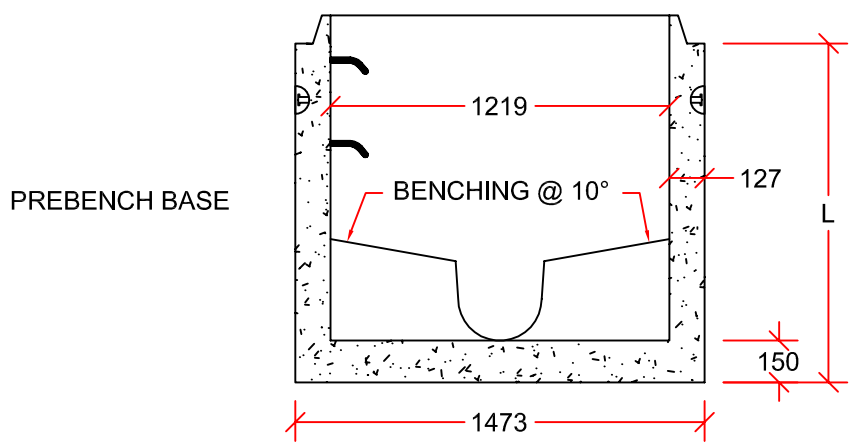


BARRELS AVAILABLE IN 300mm, 410mm, 800mm, 1200mm, AND 2000mm HEIGHTS



ALUMINUM RUNGS @ 400 O/C



BASES AVAILABLE IN 660mm, 710mm, 770mm, 970mm, AND 1035mm HEIGHTS



FLAT BASE (ALTERNATIVE TO PREBENCH BASE)

DRAWN BY:	LUCAS STEFAN	STANDARD MANHOLE DETAIL
SCALE:	N/A	
DATE:	NOVEMBER 18, 2015	DIMENSIONS IN mm
DRAWING #:	MANHOLE DETAILS	
REVISION #:	Rev. 1	
CHECKED BY:	TYSON DYCK	

INLAND
Pipe
7336 112th AVE. NW. CALGARY, AB.
PH: 403 279-5531 FAX: 403 279-7648