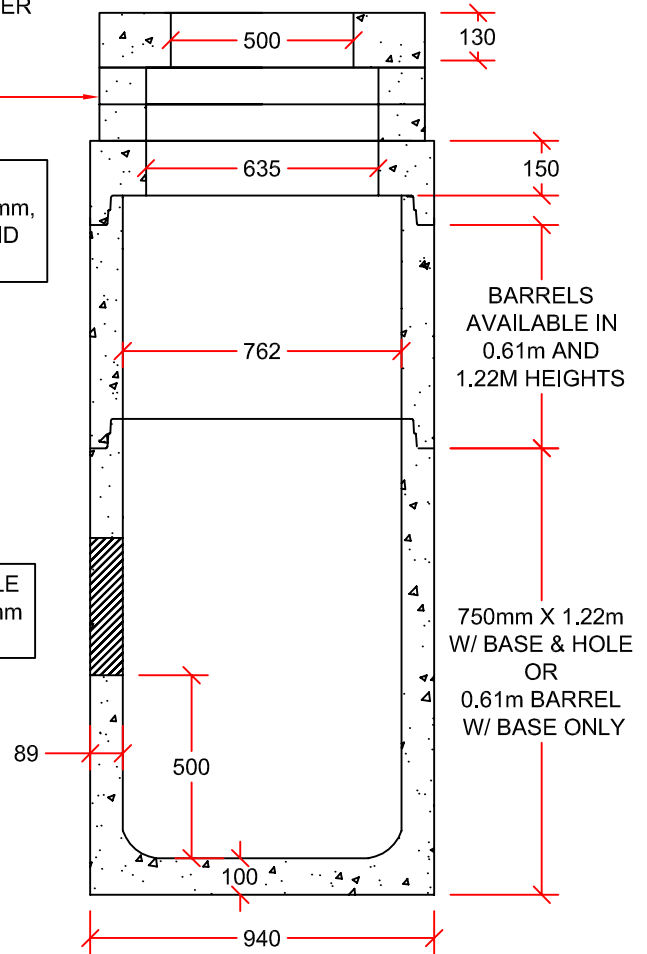


TF-39 FRAME & COVER

635mm  
GRADE RINGS

GRADE RINGS  
AVAILABLE IN 50mm,  
75mm, 100mm, AND  
150mm HEIGHTS

ROUGH CUT HOLE  
SIZE UP TO 375mm  
DIAMETER



BARRELS  
AVAILABLE IN  
0.61m AND  
1.22M HEIGHTS

750mm X 1.22m  
W/ BASE & HOLE  
OR  
0.61m BARREL  
W/ BASE ONLY

TYPICAL 750mm CATCH BASIN W/ TF-39 FRAME & COVER

TYPICAL 750mm CATCH BASIN W/ K7 TOP

DRAWN BY:	LUCAS STEFAN
SCALE:	NTS
DATE:	NOVEMBER 19, 2015
DRAWING #:	750mm CB TYP. BUILDUPS
REVISION #:	Rev. 1
CHECKED BY:	TYSON DYCK

750mm CATCH BASIN TYP. BUILDUPS	
DIMENSIONS IN mm	

***INLAND***  
**Pipe**

7336 112th AVE. NW. CALGARY, AB.  
PH: 403 279-5531 FAX: 403 279-7648