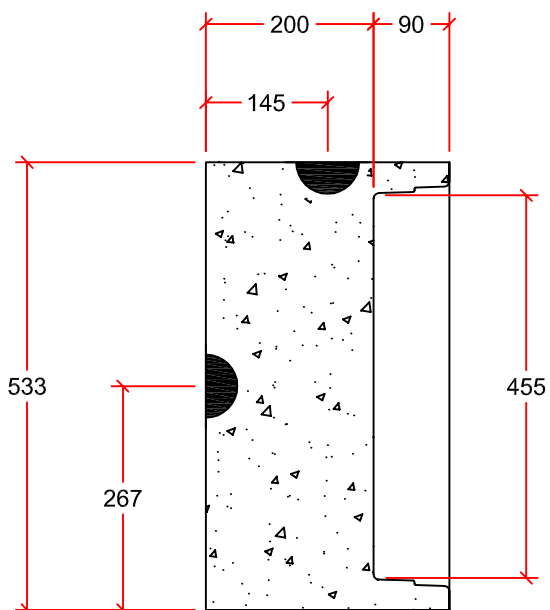
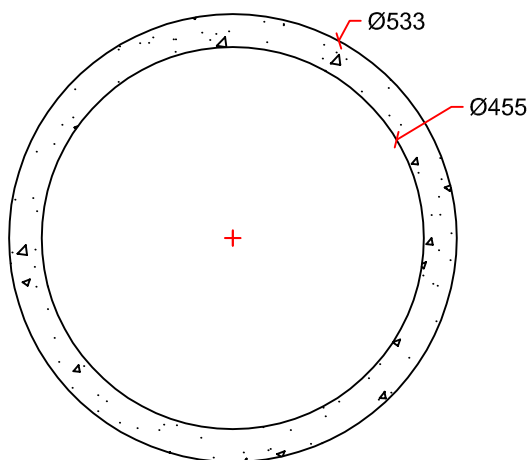


CAP

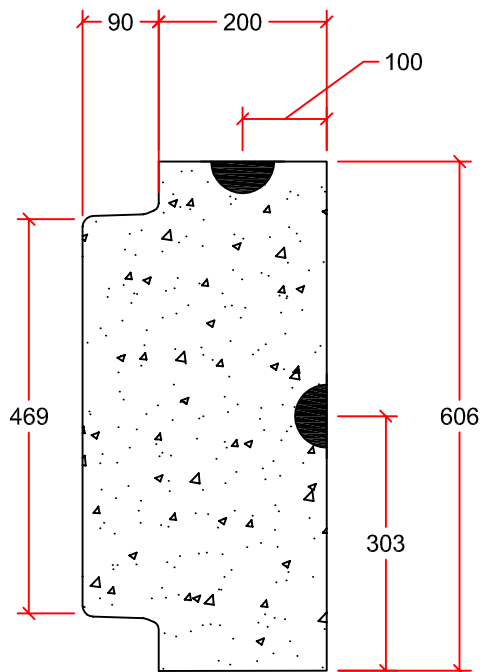


PROFILE VIEW

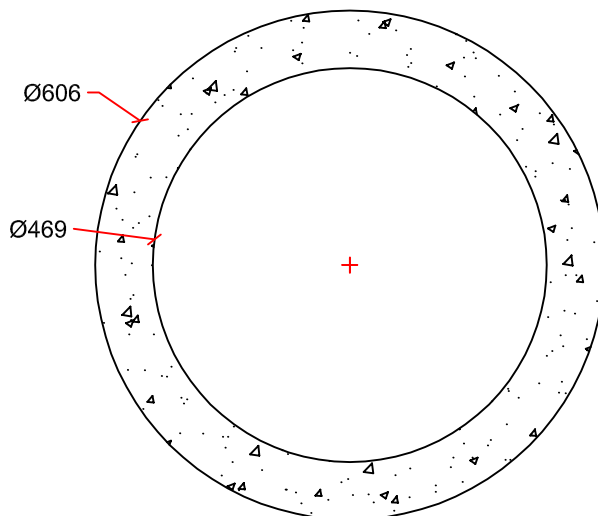


SECTION DETAIL

PLUG



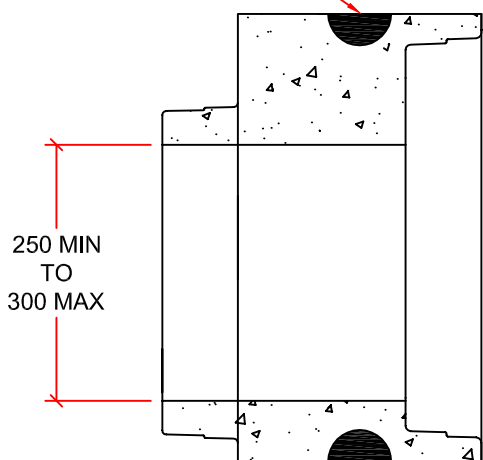
PROFILE VIEW



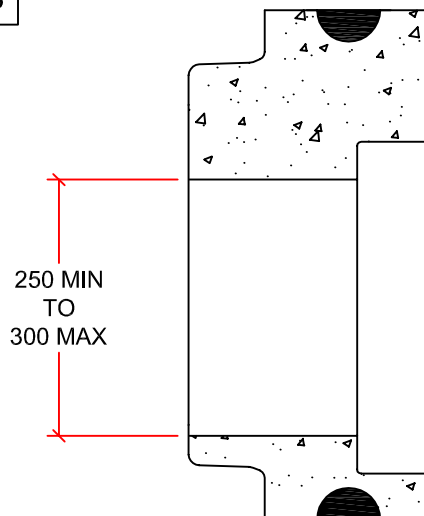
SECTION DETAIL

ADAPTORS

4T SWIFT LIFT



DECREASER



INCREASER

DRAWN BY:	LUCAS STEFAN
SCALE:	NTS
DATE:	NOVEMBER 16, 2015
DRAWING #:	Ø375 PCA (NAB)
REVISION #:	REV. 1
CHECKED BY:	TYSON DYCK

Ø375mm PCA (NAB)	
(2) 4T SWIFT LIFTS ON EACH	
APPROX. MASS: CAP:121 kg PLUG:176kg	
DIMENSIONS IN mm	

INLAND
Pipe
7336 112th AVE. NW. CALGARY, AB.
PH: 403 279-5531 FAX: 403 279-7648