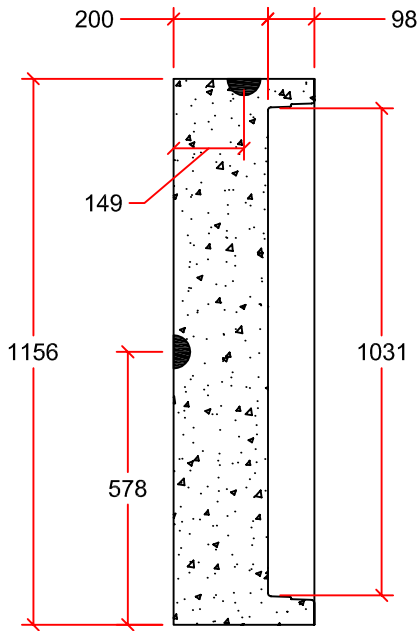
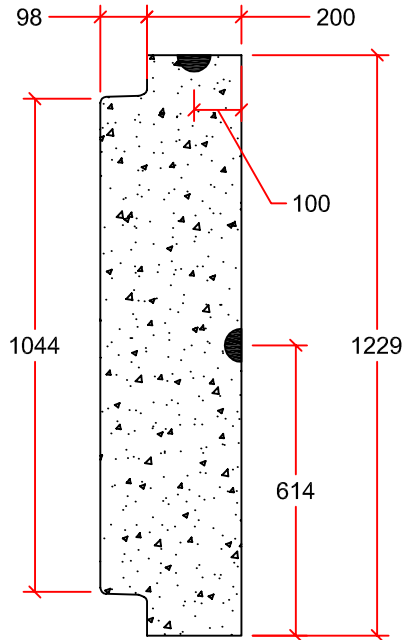


**CAP**

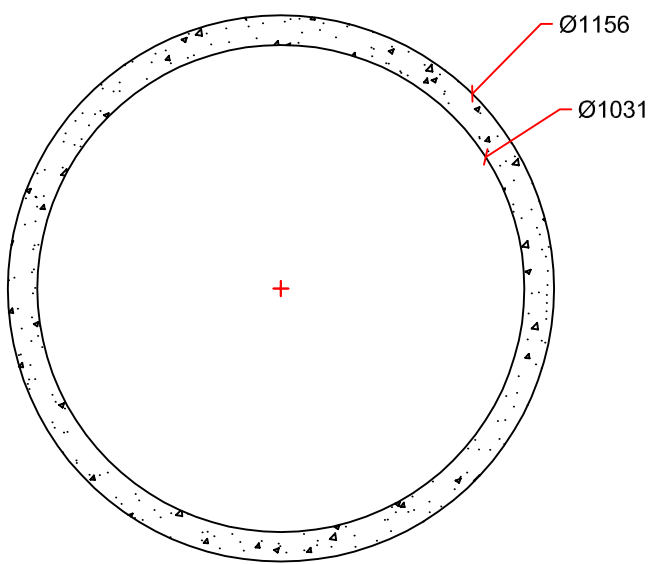


PROFILE VIEW

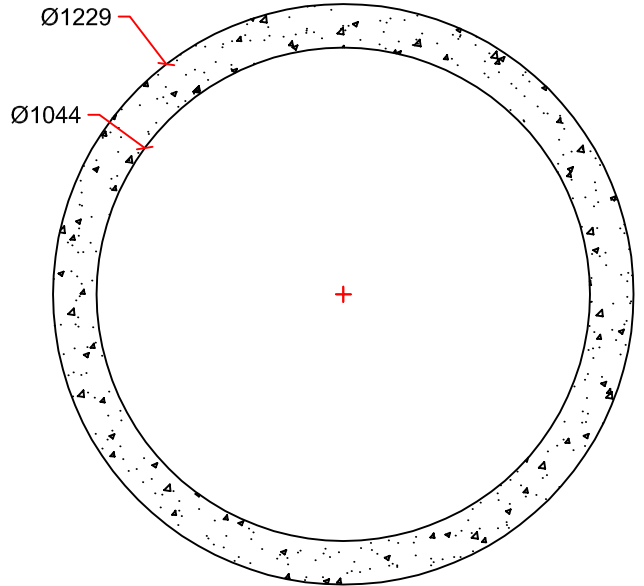
**PLUG**



PROFILE VIEW

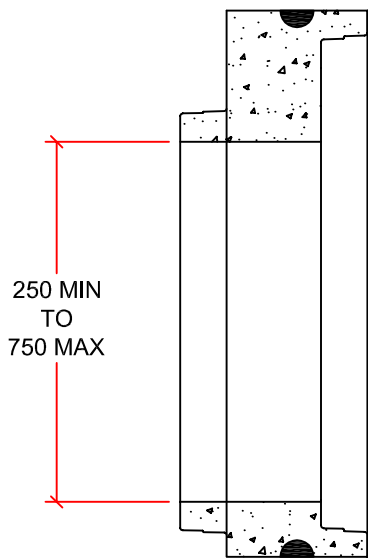


SECTION DETAIL

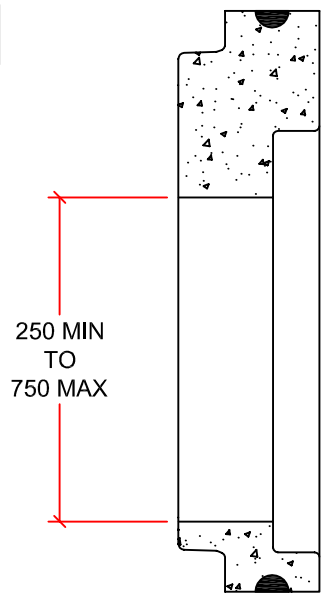


SECTION DETAIL

**ADAPTORS**



DECREASER



INCREASER

DRAWN BY:	LUCAS STEFAN	Ø900mm PCA (NAB)	<b>INLAND</b> Pipe 7336 112th AVE. NW. CALGARY, AB. PH: 403 279-5531 FAX: 403 279-7648
SCALE:	NTS		
DATE:	NOVEMBER 16, 2015	(2) 4T SWIFT LIFTS ON EACH	
DRAWING #:	Ø900 PCA (NAB)	APPROX. MASS: CAP:554 kg PLUG:771 kg	
REVISION #:	REV. 1	DIMENSIONS IN mm	
CHECKED BY:	TYSON DYCK		